

MSP ANCHOR FIXING

DESCRIPTION

Heraklith® | MSP Anchor Fixings (MSP) are specifically suited for the mounting of wood wool panels directly to normal concrete (2000-2600 kg/m³). The exceptionally high extraction value combined with a low anchoring depth ensure reliable and long-lasting mounting.

STANDARD VERSION

The MSP Anchor Fixings are made of galvanized steel and are supplied as standard with a mounting tool and accompanying cover caps. The caps are provided with a nice, flat and fine wood wool structure for a decorative finish. They are available in the most common colours. Moreover, the caps can be painted in all possible RAL colours.



ADVANTAGES

- ✓ Quick hammer set installation
- ✓ Simple installation: pre-drill and secure
- ✓ Minimal anchorage depth
- ✓ Covering caps with wood fibre structure for decorative finish

SPECIFICATIONS

Art. No.	Plug length (mm)	Panel thickness to (mm)	Units / pack
2435322	50	25	100
2441449	60	35	100
2435323	75	50	100
2440019	95	70	100
2435324	100	75	100
2440020	105	80	100
2440021	110	85	100
247357	115	90	100
2435325	125	100	100
2440022	130	105	100
2440023	135	110	100
2440372	140	115	100

Art. No.	Plug length (mm)	Panel thickness to (mm)	Units / pack
2435326	150	125	100
2440024	155	130	100
2440026	165	140	100
2440027	170	145	100
2435327	175	150	100
2440028	185	160	100
2440374	190	165	100
2440029	195	170	100
597716	200	175	100
403121	210	185	100
403122	225	200	100



Always process our Heraklith wood wool panels according to our processing instructions. These can be found on heraklith.co.uk/downloads

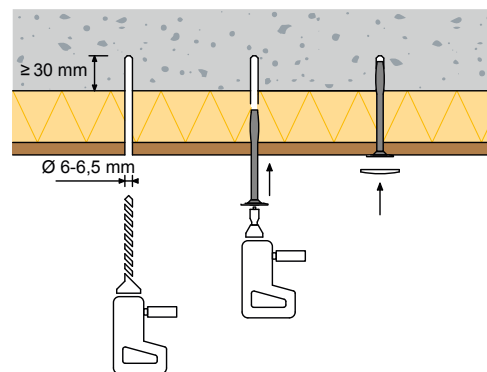


www.heraklith.co.uk

TECHNICAL SPECIFICATIONS

Corrosion category	C2, >15 years (120h)*
Tensile strength concrete C20/25	0.5 kN
Plug diameter	7 mm
Ring diameter	30 mm
Covering cap diameter	33 mm
Drilled hole diameter	6 - 6.5 mm
Drilled hole depth	30 mm
Anchoring depth in concrete	25 mm
Plug drive	Assembly attachment
Recommended anchoring material	Concrete (2000-2600 kg/m ³)

* Optionally available in:
 - C4, >15 years (1000h)
 - C5, 5-15 years (2000h)



Durability	Corrosion class (ISO 12944-2)				Unit
	C2	C3	C4	C5	
2-5 years	-	120	240	720	h (salt spray test hours)
5-15 years	-	240	480	1440	
> 15 years	-	480	720	2160	

ACCESSORIES

Covering caps

Art. No.	Colour
2435329	Nature tone
2435328	White



Drilling

Drill bit length	Drill bit diameter	Art. No.
160 mm	Ø 6.5 mm	2436309
210 mm	Ø 6.5 mm	2436310
260 mm	Ø 6.5 mm	2436311
310 mm	Ø 6.5 mm	2436312



Assembly attachment

Art. No.
2435331



Do you want more information? Please contact us

Knauf Insulation B.V.

PO Box 375
 4900 AJ Oosterhout
 The Netherlands

Tel: + 31 (0)162 - 42 12 45
 e-mail: customerservice.nl@knaufinsulation.com

www.heraklith.co.uk

Our general sales and delivery conditions apply to all our offers, communications and agreements, notwithstanding any provision to the contrary that can be found on our order forms or elsewhere. An overview of our general terms and conditions can be found on: heraklith.co.uk/downloads. Extreme caution was observed when putting together and processing the information, texts and illustrations in this document. Nevertheless, errors cannot quite be ruled out. The publisher and editors cannot assume legal responsibility or any liability whatever for incorrect information and the consequences thereof.

V7-EN 01/2020

Heraklith® is a registered trademark of

